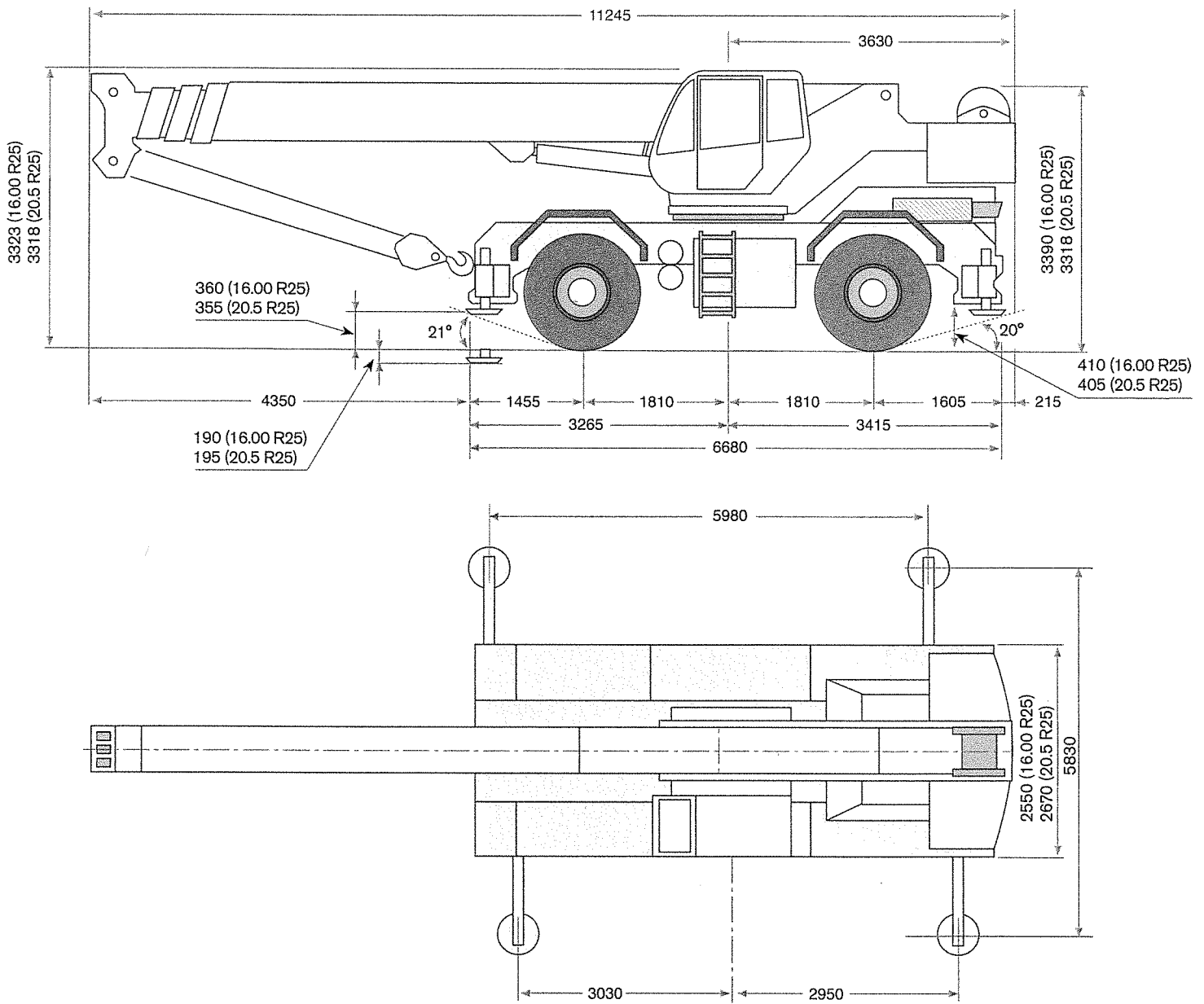


DIMENSIONS

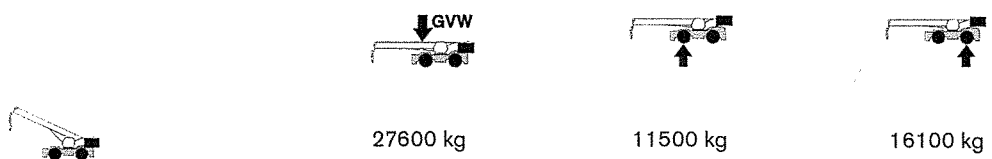
RC 45

DIMENSIONS · ABMESSUNGEN · DIMENSIONI · DIMENSIONES · DIMENSÕES · РАЗМЕРЫ



WEIGHTS

POIDS · GEWICHTE · PESI · PESOS · PESOS · BEC



Note: values of standard machine without hook block · Remarque : valeur pour machine standard sans crochet moufle · Hinweis: Angaben beziehen sich auf Serienmaschine ohne Unterflasche · Nota: valori della macchina base senza bozzello · Nota: valores de máquina estándar sin gancho · Nota: valores da máquina padrão semmoitão · Примечание. Значения даны для крана в стандартной комплектации без крюкоблока.

LOAD CHART

RC 45

GRAPHIQUE DE CHARGE · TRAGLASTTABELLE · DIAGRAMMA DI CARICO · TABLA DE CARGA ·
TABELA DE CARGA · ТАБЛИЦА НАГРУЗОК

		5.5 t		5.8 x 5.9		360°		EUROPEAN STANDARD EN13000			
		9.5 m	13 m	16.5 m	19.8 m	23.5 m	26.8 m	30.5 m	34.1 m	37.4 m	
m											m
2.5		44.0									2.5
3.0		40.0	36.5	26.0	22.8						3.0
3.5		35.7	33.3	23.7	21.0	18.9					3.5
4.0		33.0	30.8	22.0	19.4	17.6					4.0
4.5		30.4	28.7	20.5	18.0	16.3	14.5				4.5
5.0		28.5	26.7	19.0	16.8	15.2	13.9				5.0
6.0		22.0	22.4	17.3	14.7	13.3	12.2	10.0			6.0
7.0		16.5	16.9	16.1	13.0	11.8	10.9	9.7	7.5		7.0
8.0			13.3	14.0	11.7	10.6	9.8	8.8	7.5	5.6	8.0
9.0			10.7	11.4	10.8	9.6	8.8	8.0	7.1	5.4	9.0
10.0			8.8	9.0	9.4	8.6	8.0	7.3	6.7	5.0	10.0
11.0				7.9	8.0	7.1	6.7	6.7	6.2	4.7	11.0
12.0				6.7	6.7	6.6	6.2	6.1	5.8	4.4	12.0
13.0				5.6	5.8	6.1	5.9	5.6	5.3	4.2	13.0
14.0				5.1	5.3	5.4	5.0	4.7	5.0	4.0	14.0
15.0					4.6	4.7	4.7	4.2	4.4	3.7	15.0
16.0					4.0	4.1	4.3	3.7	3.8	3.5	16.0
17.0					3.6	3.8	3.8	3.3	3.4	3.2	17.0
18.0						3.4	3.4	2.8	2.9	3.0	18.0
19.0						3.0	3.0	2.5	2.6	2.7	19.0
20.0						2.7	2.8	2.3	2.4	2.5	20.0
21.0						2.4	2.5	1.9	2.3	2.2	21.0
22.0							2.3	1.7	2.0	2.0	22.0
23.0							2.1	1.6	1.9	1.8	23.0
24.0							1.9	1.5	1.7	1.5	24.0
25.0								1.4	1.6	1.4	25.0
26.0								1.3	1.4	1.2	26.0
27.0								1.2	1.2	1.0	27.0
28.0								1.1	1.1	0.9	28.0
29.0									0.9	0.8	29.0
30.0									0.8	0.7	30.0
31.0									0.7	0.6	31.0
32.0										0.5	32.0

Mode 1 · Mode 1 · Mode 1 · Mode 1 · Mode 1 · Mode 1 · Mode 1

Mode 2 · Mode 2 · Mode 2 · Mode 2 · Mode 2 · Mode 2 · Mode 2

		5.5 t		EUROPEAN STANDARD EN13000					
		0 km/h		360°		2 km/h MAX		0°	
		9.5 m	13.0 m	9.5 m	13.0 m	16.5 m			
m									m
2.5		9.0	-	12					2.5
3.0		8.0	-	10.15	11	11.45			3.0
3.5		6.8	-	9.05	9.75	10.2			3.5
4.0		5.8	6.45	8.1	8.75	9.15			4.0
4.5		5.0	5.65	7.3	7.9	8.3			4.5
5.0		4.4	5.0	6.6	7.2	7.5			5.0
6.0		3.4	3.9	5.5	6.0	6.3			6.0
7.0		2.6	3.1	4.6	5.1	5.4			7.0
8.0		-	2.5	-	4.3	4.6			8.0
9.0		-	2.0	-	3.5	3.8			9.0
10.0		-	1.6	-	2.9	3.2			10.0
11.0		-	-	-	-	2.6			11.0
12.0		-	-	-	-	2.2			12.0
13.0		-	-	-	-	1.9			13.0
14.0		-	-	-	-	1.5			14.0

RANGE GRAPH

RC 45

DIAGRAMME DE CHARGE · ARBEITSBEREICH · DIAGRAMMA DI CARICO ·
 DIAGRAMA DE CARGA · GRÁFICO DE ALCANCE · ДИАГРАММА РАБОЧЕЙ ЗОНЫ



main boom with hook block: 2 m
 flèche principale avec crochet moufle: 2 m
 Hauptausleger mit Unterflasche: 2 m
 braccio principale con bozzello: 2 m

pluma principal con gancho: 2 m
 lança principal com moitão: 2 m
 Главная стрела с крюкоблоком: 2 m

